

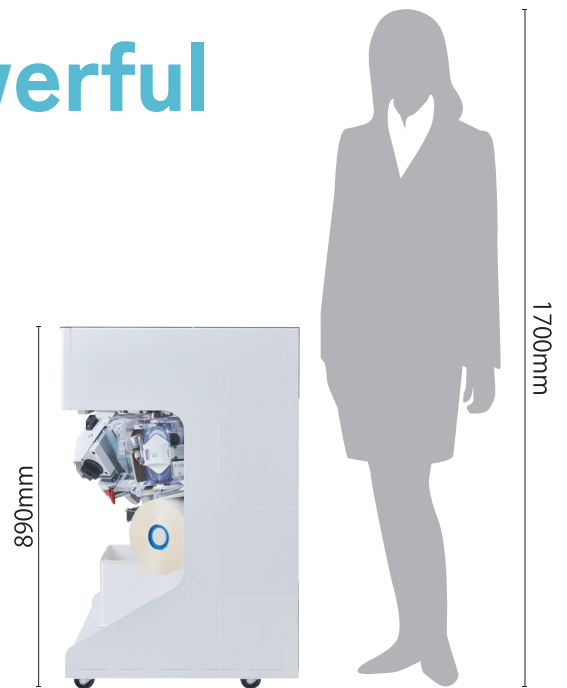
[YS-TR-CTDM]

MIND SE



Small body, but powerful work established.

Mindose is a pharmacy pouching automation system that requires less than 0.4 square meters of space. It offers efficient features like 8 Universal Cannisters, Pen Liner, and DTA LED Guide found in systems like Proud NEO and Litrea III. It can also serve as a cost effective spare for existing automation setups.

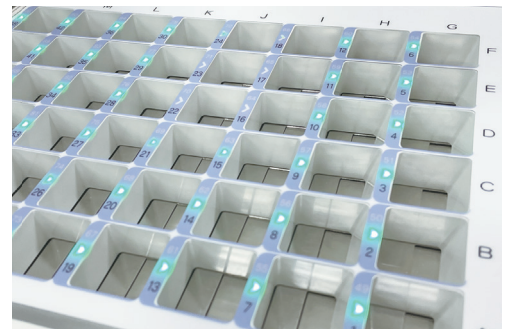


1 DTA LED Guide

Mindose comes with the DTA LED Tray. It handles excess meds when UniversalCannisters aren't available and can dispense specific meds. The LED Tray lights up cells needing pills, ensuring accurate placement by technicians.



The LED light will indicate the position to set the medications. It allows users to reduce human error



The number of DTA tray cells are 48. The same number as Litrea III, and user can change the color by setting.

2 Cut the running cost by changing the size of pouches.

Pouch sizing is determined automatically by Mindose. Pouch sizes include 60, 70, 76,80, 90mm and will be selected per pouch. This results in less material used and reduced consumable cost.



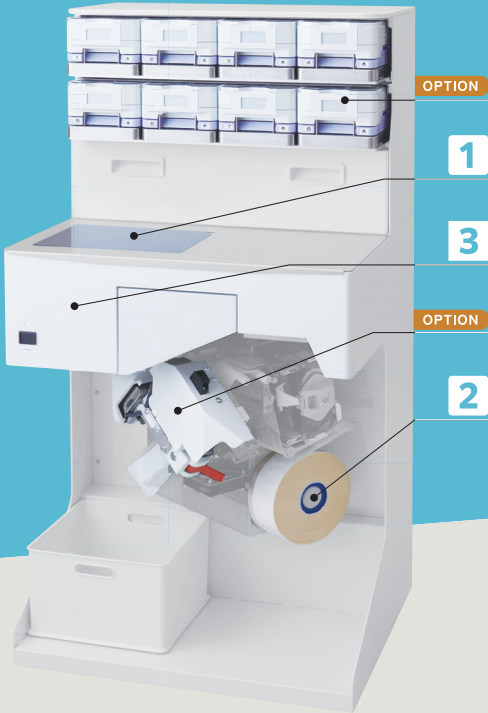
3 Detachable hopper!

Having hopper to clean streamlines maintenance for Mindose. Cleaning takes minutes, not hours per week, ensuring minimal cross-contamination concerns.



[YS-TR-CTDM] MINDOSE

Stay Simple, Stay Satisfied



OPTION

Almighty Cassette 『Universal Cassette (UC)』 ※You can choose the number of UC from [0/4/8].

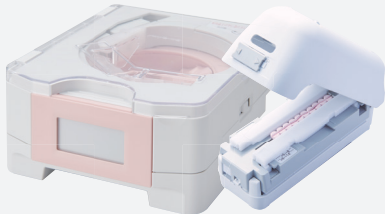
Reducing manual dispensing will decrease the errors and concern for your operation.








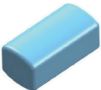
Using Universal Cassettes allows each cassette to be registered per patient for the medications needed to dispense. Simply select the patient, scan the correct barcode, the cassette will be released to add medication to dispense, add the expiration date and lot number, it is that simple!



Introducing the Half Tablet Universal Cassette

Automate half tablet dispensing with pre-cut meds. The cassette calibrates and dispenses to pouch, preventing manual errors.



 Capsule	 Soft Capsule	 Naked (Swelling)	 Naked (Flat)
 Round (Swelling)	 Oval (Swelling)	 Round (Flat)	 Rectangle (swelling)

UC allows the user to dispense various shapes of medications automatically. When a prescription is received, each UC will automatically self-calibrate based on medication sizes stored.

Work flow for using the Universal Cassette



1 Received prescriptions will display the Patient, Drug Name and Quantity to dispense.



2 Verify the medications by scanning the barcode. Then the applicable UC will be pushed out.



3 Pour the medication into the UC and set into the motor base of the machine.

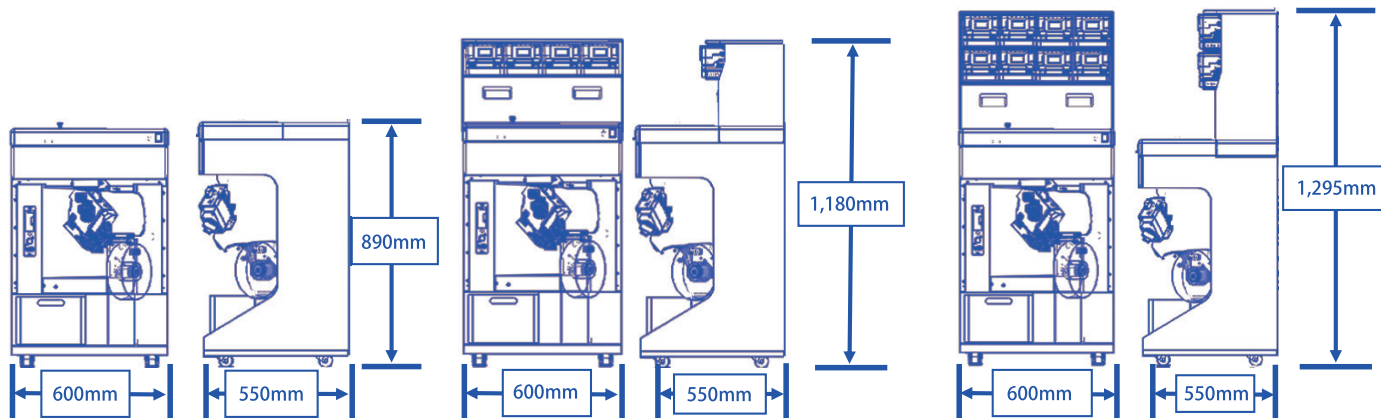
Dispensing will start



OPTION

Pen-liner

You can add Pen Liner to the Mindose. Using the Pen Liner allows the pharmacy to increase patient compliance by adding a color line per Administration time. Add color and add clarity to your patients ease of use.



Product Name	YS-TR-CTDM / Mindose
Dimensions	W 600mm x D 550mm x H 890mm, 1,180mm(UC4), 1,295mm(UC8)
Weight	Approximately 100kg
Power	AC100 ~ 240V 50Hz/60Hz
Power consumption	MAX850VA / MAX1200VA (UC8)
Dispensing Speed	MAX 60 pouch/minute
Pouch Size	W60 · 70 · 76 · 80 · 90mmx H70mm
Option	Universal Cassette (0/4/8), Pen liner

yuyama CO.,LTD

yuyama MFG.,LTD

3-3-1 Meishinguchi Toyonaka, Osaka 561-0841 Japan

Tel; +81-6-7635-6312 Fax; +81-6-7635-6313



JQA-QM5424
YUYAMA MFG. CO.,LTD
ISO9001:2008



JQA-EM3387
OKAYAMA FACTORY
ISO14001

Yuyama MFG Co., Ltd has obtained ISO9001 (Year of 2000) on March 2003. It is not only for managing quality control process but also pursuing the 100% customer satisfaction. In addition, Okayama factory has obtained ISO14001, which is for environment management system, on September 2003.



Yuyama HQ. Website:
www.yuyama.co.jp



Yuyama U.S.A. Website:
www.yuyamarx.com